

Residensi

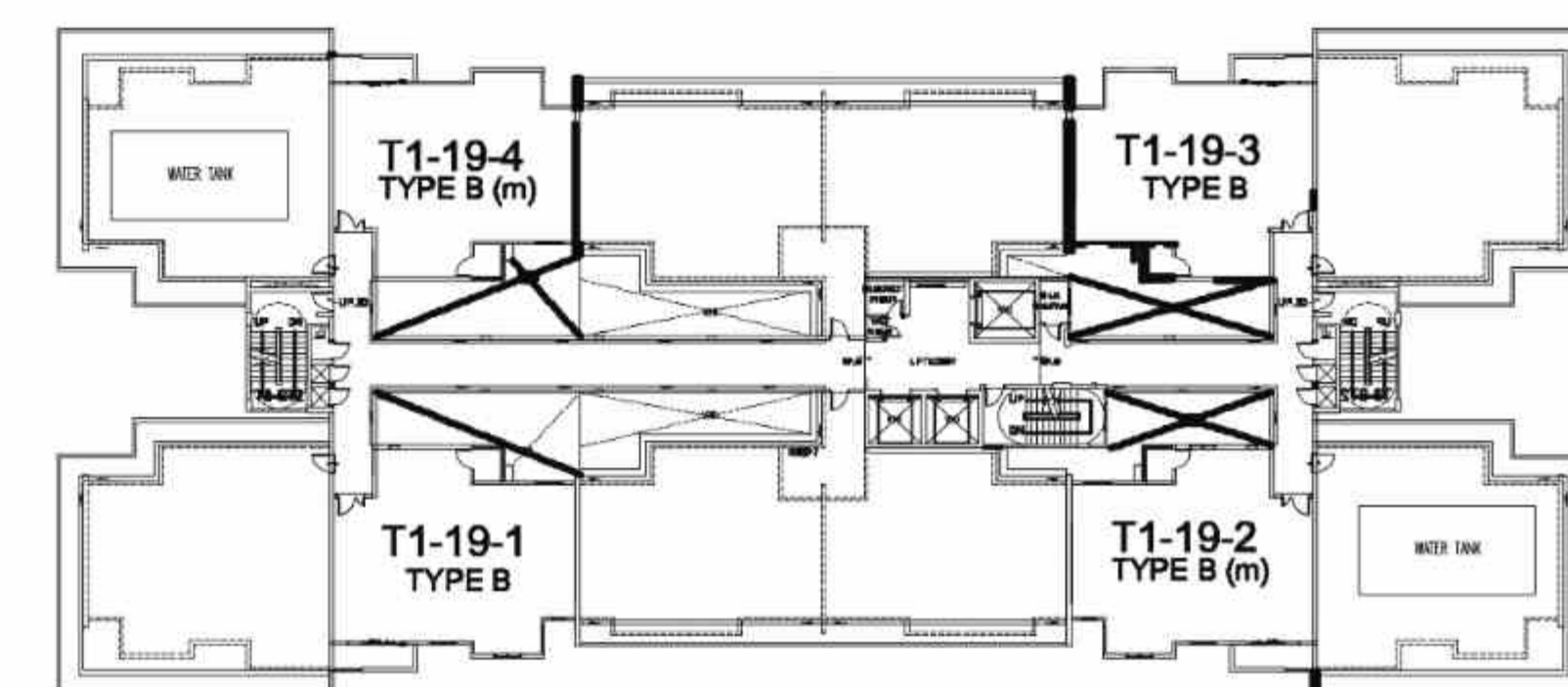
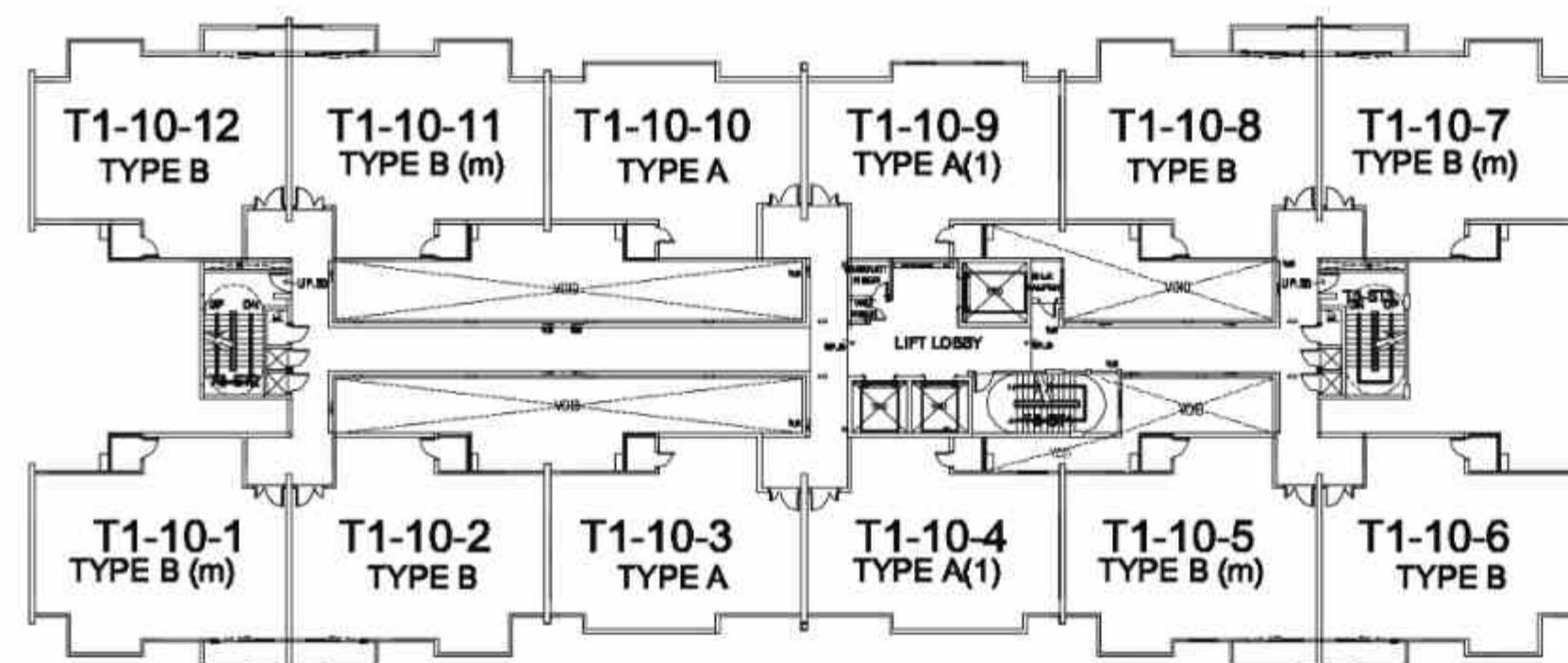
# Melaka Tengah 2



## PELAN TAPAK

### TOWER 1

	FRONT	TANGGA	FRONT	LIFT MOTOR ROOM	TANGGA	FRONT	TANGGA	FRONT	BACK	TANGGA	BACK	TANGGA	BACK	TANGGA	BACK					
ROOF LEVEL																				
LEVEL 19			T1-19-1 (TYPE B)			T1-19-2 (TYPE B (m))			T1-19-3 (TYPE B)				T1-19-4 (TYPE B (m))							
LEVEL 18	T1-18-1 (TYPE B (m))		T1-18-2 (TYPE B)		T1-18-3 (TYPE A)	T1-18-4 (TYPE A(1))		T1-18-5 (TYPE B (m))	T1-18-6 (TYPE B)		T1-18-7 (TYPE B (m))		T1-18-8 (TYPE B)		T1-18-9 (TYPE A (1))	T1-18-10 (TYPE A)		T1-18-11 (TYPE B (m))		T1-18-12 (TYPE B)
LEVEL 17	T1-17-1 (TYPE B (m))		T1-17-2 (TYPE B)		T1-17-3 (TYPE A)	T1-17-4 (TYPE A(1))		T1-17-5 (TYPE B (m))	T1-17-6 (TYPE B)		T1-17-7 (TYPE B (m))		T1-17-8 (TYPE B)		T1-17-9 (TYPE A (1))	T1-17-10 (TYPE A)		T1-17-11 (TYPE B (m))		T1-17-12 (TYPE B)
LEVEL 16	T1-16-1 (TYPE B (m))		T1-16-2 (TYPE B)		T1-16-3 (TYPE A)	T1-16-4 (TYPE A(1))		T1-16-5 (TYPE B (m))	T1-16-6 (TYPE B)		T1-16-7 (TYPE B (m))		T1-16-8 (TYPE B)		T1-16-9 (TYPE A (1))	T1-16-10 (TYPE A)		T1-16-11 (TYPE B (m))		T1-16-12 (TYPE B)
LEVEL 15	T1-15-1 (TYPE B (m))		T1-15-2 (TYPE B)		T1-15-3 (TYPE A)	T1-15-4 (TYPE A(1))		T1-15-5 (TYPE B (m))	T1-15-6 (TYPE B)		T1-15-7 (TYPE B (m))		T1-15-8 (TYPE B)		T1-15-9 (TYPE A (1))	T1-15-10 (TYPE A)		T1-15-11 (TYPE B (m))		T1-15-12 (TYPE B)
LEVEL 14	T1-14-1 (TYPE B (m))		T1-14-2 (TYPE B)		T1-14-3 (TYPE A)	T1-14-4 (TYPE A(1))		T1-14-5 (TYPE B (m))	T1-14-6 (TYPE B)		T1-14-7 (TYPE B (m))		T1-14-8 (TYPE B)		T1-14-9 (TYPE A (1))	T1-14-10 (TYPE A)		T1-14-11 (TYPE B (m))		T1-14-12 (TYPE B)
LEVEL 13	T1-13-1 (TYPE B (m))		T1-13-2 (TYPE B)		T1-13-3 (TYPE A)	T1-13-4 (TYPE A(1))		T1-13-5 (TYPE B (m))	T1-13-6 (TYPE B)		T1-13-7 (TYPE B (m))		T1-13-8 (TYPE B)		T1-13-9 (TYPE A (1))	T1-13-10 (TYPE A)		T1-13-11 (TYPE B (m))		T1-13-12 (TYPE B)
LEVEL 12	T1-12-1 (TYPE B (m))		T1-12-2 (TYPE B)		T1-12-3 (TYPE A)	T1-12-4 (TYPE A(1))		T1-12-5 (TYPE B (m))	T1-12-6 (TYPE B)		T1-12-7 (TYPE B (m))		T1-12-8 (TYPE B)		T1-12-9 (TYPE A (1))	T1-12-10 (TYPE A)		T1-12-11 (TYPE B (m))		T1-12-12 (TYPE B)
LEVEL 11	T1-11-1 (TYPE B (m))		T1-11-2 (TYPE B)		T1-11-3 (TYPE A)	T1-11-4 (TYPE A(1))		T1-11-5 (TYPE B (m))	T1-11-6 (TYPE B)		T1-11-7 (TYPE B (m))		T1-11-8 (TYPE B)		T1-11-9 (TYPE A (1))	T1-11-10 (TYPE A)		T1-11-11 (TYPE B (m))		T1-11-12 (TYPE B)
LEVEL 10	T1-10-1 (TYPE B (m))		T1-10-2 (TYPE B)		T1-10-3 (TYPE A)	T1-10-4 (TYPE A(1))		T1-10-5 (TYPE B (m))	T1-10-6 (TYPE B)		T1-10-7 (TYPE B (m))		T1-10-8 (TYPE B)		T1-10-9 (TYPE A (1))	T1-10-10 (TYPE A)		T1-10-11 (TYPE B (m))		T1-10-12 (TYPE B)
LEVEL 9	T1-9-1 (TYPE B (m))		T1-9-2 (TYPE B)		T1-9-3 (TYPE A)	T1-9-4 (TYPE A(1))		T1-9-5 (TYPE B (m))	T1-9-6 (TYPE B)		T1-9-7 (TYPE B (m))		T1-9-8 (TYPE B)		T1-9-9 (TYPE A (1))	T1-9-10 (TYPE A)		T1-9-11 (TYPE B (m))		T1-9-12 (TYPE B)
LEVEL 8	T1-8-1 (TYPE B (m))		T1-8-2 (TYPE B)		T1-8-3 (TYPE A)	T1-8-4 (TYPE A(1))		T1-8-5 (TYPE B (m))	T1-8-6 (TYPE B)		T1-8-7 (TYPE B (m))		T1-8-8 (TYPE B)		T1-8-9 (TYPE A (1))	T1-8-10 (TYPE A)		T1-8-11 (TYPE B (m))		T1-8-12 (TYPE B)
LEVEL 7	T1-7-1 (TYPE B (m))		T1-7-2 (TYPE B)		T1-7-3 (TYPE A)	T1-7-4 (TYPE A(1))		T1-7-5 (TYPE B (m))	T1-7-6 (TYPE B)		T1-7-7 (TYPE B (m))		T1-7-8 (TYPE B)		T1-7-9 (TYPE A (1))	T1-7-10 (TYPE A)		T1-7-11 (TYPE B (m))		T1-7-12 (TYPE B)
LEVEL 6	T1-6-1 (TYPE B (m))		T1-6-2 (TYPE B)		T1-6-3 (TYPE A)	T1-6-4 (TYPE A(1))		T1-6-5 (TYPE B (m))	T1-6-6 (TYPE B)		T1-6-7 (TYPE B (m))		T1-6-8 (TYPE B)		T1-6-9 (TYPE A (1))	T1-6-10 (TYPE A)		T1-6-11 (TYPE B (m))		T1-6-12 (TYPE B)
LEVEL 5	T1-5-1 (TYPE B (m))		T1-5-2 (TYPE B)		T1-5-3 (TYPE A)	T1-5-4 (TYPE A(1))		T1-5-5 (TYPE B (m))	T1-5-6 (TYPE B)		T1-5-7 (TYPE B (m))		T1-5-8 (TYPE B)		T1-5-9 (TYPE A (1))	T1-5-10 (TYPE A)		T1-5-11 (TYPE B (m))		T1-5-12 (TYPE B)
LEVEL 4	T1-4-1 (TYPE B (m))		T1-4-2 (TYPE B)		T1-4-3 (TYPE A)	T1-4-4 (TYPE A(1))		T1-4-5 (TYPE B (m))	T1-4-6 (TYPE B)		T1-4-7 (TYPE B (m))		T1-4-8 (TYPE B)		T1-4-9 (TYPE A (1))	T1-4-10 (TYPE A)		T1-4-11 (TYPE B (m))		T1-4-12 (TYPE B)
LEVEL 3	<b>T1-3-1 (TYPE B (m))</b>		<b>T1-3-2 (TYPE B)</b>		<b>T1-3-3 (TYPE A)</b>	<b>T1-3-4 (TYPE A(1))</b>		<b>T1-3-5 (TYPE B (m))</b>	<b>T1-3-6 (TYPE B)</b>		<b>T1-3-7 (TYPE B (m))</b>		T1-3-8 (TYPE B)		T1-3-9 (TYPE A (1))	T1-3-10 (TYPE A)		T1-3-11 (TYPE B (m))		T1-3-12 (TYPE B)
LEVEL 2	CAR PARKING		CAR PARKING		CAR PARKING	CAR PARKING		CAR PARKING	CAR PARKING		CAR PARKING		CAR PARKING		CAR PARKING	CAR PARKING		CAR PARKING		CAR PARKING
LEVEL 1	CAR PARKING		CAR PARKING		CAR PARKING	CAR PARKING		CAR PARKING	CAR PARKING		CAR PARKING		CAR PARKING		CAR PARKING	CAR PARKING		CAR PARKING		CAR PARKING
ROAD LEVEL																				





Residensi

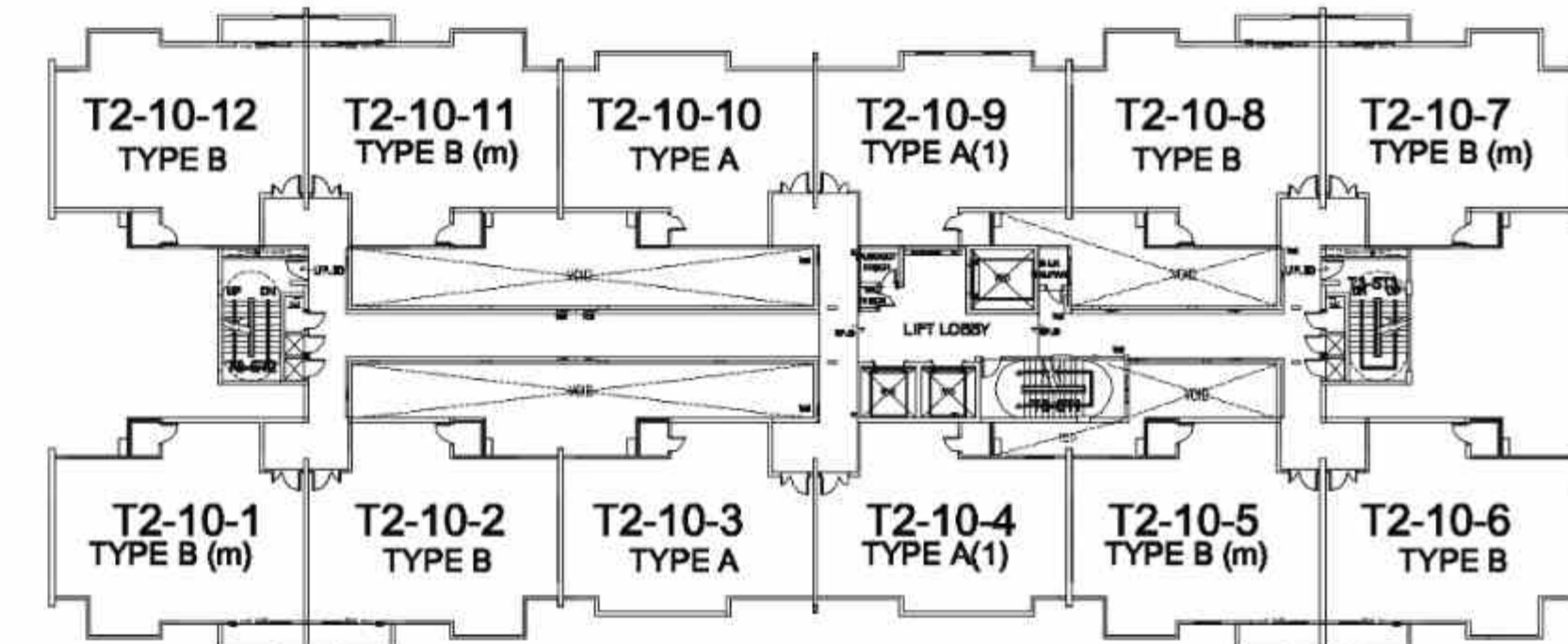
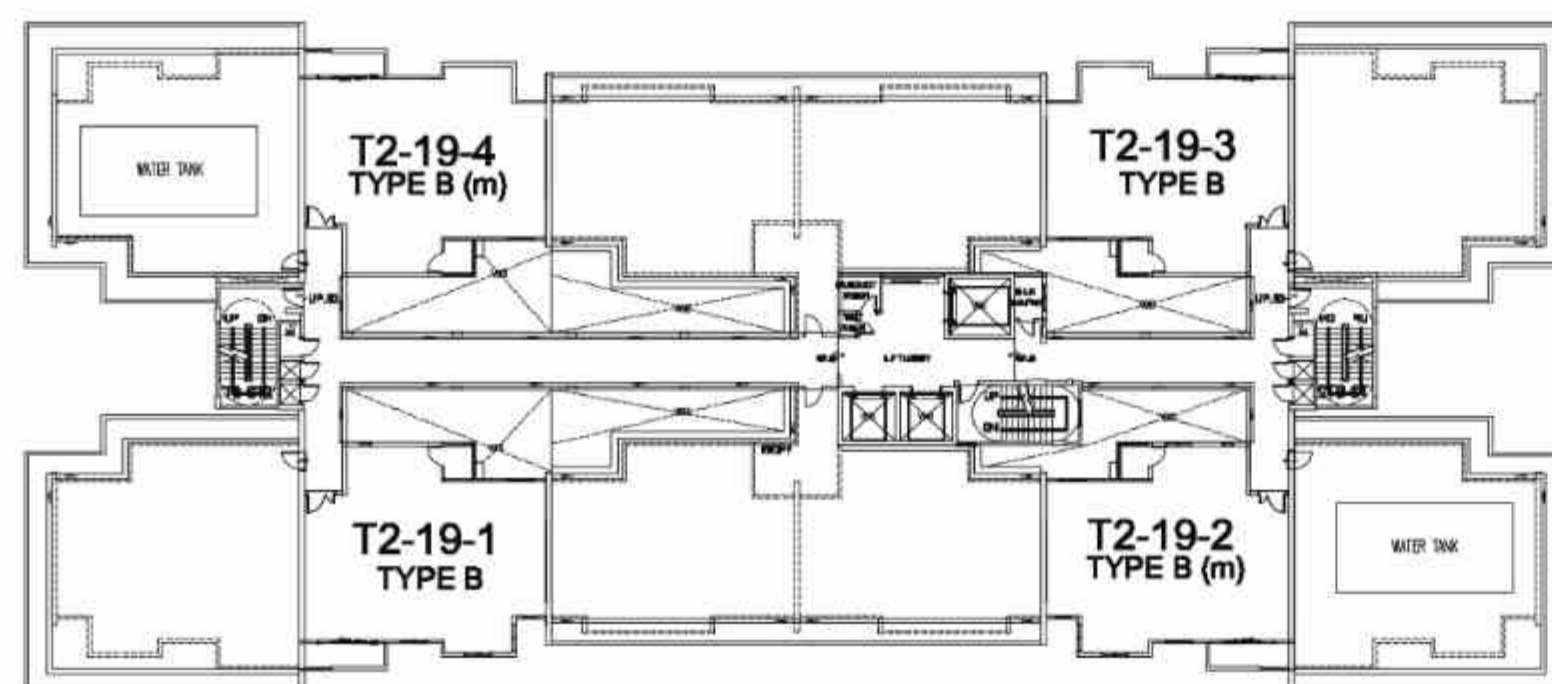
# Melaka Tengah 2



## PELAN TAPAK

### TOWER 2

	FRONT	TANGGA	FRONT	LIFT MOTOR ROOM	TANGGA	FRONT	TANGGA	BACK	TANGGA	BACK	LIFT MOTOR ROOM	TANGGA	BACK	TANGGA	BACK
ROOF LEVEL			T2-19-1 (TYPE B)			T2-19-2 (TYPE B (m))		T2-19-3 (TYPE B)				T2-19-4 (TYPE B (m))			
LEVEL 19	T2-18-1 (TYPE B (m))		T2-18-2 (TYPE B)	T2-18-3 (TYPE A)		T2-18-4 (TYPE A(1))	T2-18-5 (TYPE B (m))	T2-18-6 (TYPE B)	T2-18-7 (TYPE B (m))	T2-18-8 (TYPE B)	T2-18-9 (TYPE A (1))	T2-18-10 (TYPE A)	T2-18-11 (TYPE B (m))	T2-18-12 (TYPE B)	
LEVEL 18	T2-17-1 (TYPE B (m))		T2-17-2 (TYPE B)	T2-17-3 (TYPE A)		T2-17-4 (TYPE A(1))	T2-17-5 (TYPE B (m))	T2-17-6 (TYPE B)	T2-17-7 (TYPE B (m))	T2-17-8 (TYPE B)	T2-17-9 (TYPE A (1))	T2-17-10 (TYPE A)	T2-17-11 (TYPE B (m))	T2-17-12 (TYPE B)	
LEVEL 17	T2-16-1 (TYPE B (m))		T2-16-2 (TYPE B)	T2-16-3 (TYPE A)		T2-16-4 (TYPE A(1))	T2-16-5 (TYPE B (m))	T2-16-6 (TYPE B)	T2-16-7 (TYPE B (m))	T2-16-8 (TYPE B)	T2-16-9 (TYPE A (1))	T2-16-10 (TYPE A)	T2-16-11 (TYPE B (m))	T2-16-12 (TYPE B)	
LEVEL 16	T2-15-1 (TYPE B (m))		T2-15-2 (TYPE B)	T2-15-3 (TYPE A)		T2-15-4 (TYPE A(1))	T2-15-5 (TYPE B (m))	T2-15-6 (TYPE B)	T2-15-7 (TYPE B (m))	T2-15-8 (TYPE B)	T2-15-9 (TYPE A (1))	T2-15-10 (TYPE A)	T2-15-11 (TYPE B (m))	T2-15-12 (TYPE B)	
LEVEL 15	T2-14-1 (TYPE B (m))		T2-14-2 (TYPE B)	T2-14-3 (TYPE A)		T2-14-4 (TYPE A(1))	T2-14-5 (TYPE B (m))	T2-14-6 (TYPE B)	T2-14-7 (TYPE B (m))	T2-14-8 (TYPE B)	T2-14-9 (TYPE A (1))	T2-14-10 (TYPE A)	T2-14-11 (TYPE B (m))	T2-14-12 (TYPE B)	
LEVEL 14	T2-13-1 (TYPE B (m))		T2-13-2 (TYPE B)	T2-13-3 (TYPE A)		T2-13-4 (TYPE A(1))	T2-13-5 (TYPE B (m))	T2-13-6 (TYPE B)	T2-13-7 (TYPE B (m))	T2-13-8 (TYPE B)	T2-13-9 (TYPE A (1))	T2-13-10 (TYPE A)	T2-13-11 (TYPE B (m))	T2-13-12 (TYPE B)	
LEVEL 13	T2-12-1 (TYPE B (m))		T2-12-2 (TYPE B)	T2-12-3 (TYPE A)		T2-12-4 (TYPE A(1))	T2-12-5 (TYPE B (m))	T2-12-6 (TYPE B)	T2-12-7 (TYPE B (m))	T2-12-8 (TYPE B)	T2-12-9 (TYPE A (1))	T2-12-10 (TYPE A)	T2-12-11 (TYPE B (m))	T2-12-12 (TYPE B)	
LEVEL 12	T2-11-1 (TYPE B (m))		T2-11-2 (TYPE B)	T2-11-3 (TYPE A)		T2-11-4 (TYPE A(1))	T2-11-5 (TYPE B (m))	T2-11-6 (TYPE B)	T2-11-7 (TYPE B (m))	T2-11-8 (TYPE B)	T2-11-9 (TYPE A (1))	T2-11-10 (TYPE A)	T2-11-11 (TYPE B (m))	T2-11-12 (TYPE B)	
LEVEL 11	T2-10-1 (TYPE B (m))		T2-10-2 (TYPE B)	T2-10-3 (TYPE A)		T2-10-4 (TYPE A(1))	T2-10-5 (TYPE B (m))	T2-10-6 (TYPE B)	T2-10-7 (TYPE B (m))	T2-10-8 (TYPE B)	T2-10-9 (TYPE A (1))	T2-10-10 (TYPE A)	T2-10-11 (TYPE B (m))	T2-10-12 (TYPE B)	
LEVEL 10	T2-9-1 (TYPE B (m))		T2-9-2 (TYPE B)	T2-9-3 (TYPE A)		T2-9-4 (TYPE A(1))	T2-9-5 (TYPE B (m))	T2-9-6 (TYPE B)	T2-9-7 (TYPE B (m))	T2-9-8 (TYPE B)	T2-9-9 (TYPE A (1))	T2-9-10 (TYPE A)	T2-9-11 (TYPE B (m))	T2-9-12 (TYPE B)	
LEVEL 9	T2-8-1 (TYPE B (m))		T2-8-2 (TYPE B)	T2-8-3 (TYPE A)		T2-8-4 (TYPE A(1))	T2-8-5 (TYPE B (m))	T2-8-6 (TYPE B)	T2-8-7 (TYPE B (m))	T2-8-8 (TYPE B)	T2-8-9 (TYPE A (1))	T2-8-10 (TYPE A)	T2-8-11 (TYPE B (m))	T2-8-12 (TYPE B)	
LEVEL 8	T2-7-1 (TYPE B (m))		T2-7-2 (TYPE B)	T2-7-3 (TYPE A)		T2-7-4 (TYPE A(1))	T2-7-5 (TYPE B (m))	T2-7-6 (TYPE B)	T2-7-7 (TYPE B (m))	T2-7-8 (TYPE B)	T2-7-9 (TYPE A (1))	T2-7-10 (TYPE A)	T2-7-11 (TYPE B (m))	T2-7-12 (TYPE B)	
LEVEL 7	T2-6-1 (TYPE B (m))		T2-6-2 (TYPE B)	T2-6-3 (TYPE A)		T2-6-4 (TYPE A(1))	T2-6-5 (TYPE B (m))	T2-6-6 (TYPE B)	T2-6-7 (TYPE B (m))	T2-6-8 (TYPE B)	T2-6-9 (TYPE A (1))	T2-6-10 (TYPE A)	T2-6-11 (TYPE B (m))	T2-6-12 (TYPE B)	
LEVEL 6	T2-5-1 (TYPE B (m))		T2-5-2 (TYPE B)	T2-5-3 (TYPE A)		T2-5-4 (TYPE A(1))	T2-5-5 (TYPE B (m))	T2-5-6 (TYPE B)	T2-5-7 (TYPE B (m))	T2-5-8 (TYPE B)	T2-5-9 (TYPE A (1))	T2-5-10 (TYPE A)	T2-5-11 (TYPE B (m))	T2-5-12 (TYPE B)	
LEVEL 5	T2-4-1 (TYPE B (m))		T2-4-2 (TYPE B)	T2-4-3 (TYPE A)		T2-4-4 (TYPE A(1))	T2-4-5 (TYPE B (m))	T2-4-6 (TYPE B)	T2-4-7 (TYPE B (m))	T2-4-8 (TYPE B)	T2-4-9 (TYPE A (1))	T2-4-10 (TYPE A)	T2-4-11 (TYPE B (m))	T2-4-12 (TYPE B)	
LEVEL 4	T2-3-1 (TYPE B (m))		T2-3-2 (TYPE B)	T2-3-3 (TYPE A)		T2-3-4 (TYPE A(1))	T2-3-5 (TYPE B (m))	T2-3-6 (TYPE B)	T2-3-7 (TYPE B (m))	T2-3-8 (TYPE B)	T2-3-9 (TYPE A (1))	T2-3-10 (TYPE A)	T2-3-11 (TYPE B (m))	T2-3-12 (TYPE B)	
LEVEL 3															
LEVEL 2	CAR PARKING		CAR PARKING			CAR PARKING		CAR PARKING		CAR PARKING		CAR PARKING		CAR PARKING	
LEVEL 1	CAR PARKING		CAR PARKING			CAR PARKING		CAR PARKING		CAR PARKING		CAR PARKING		CAR PARKING	
ROAD LEVEL															





Residensi

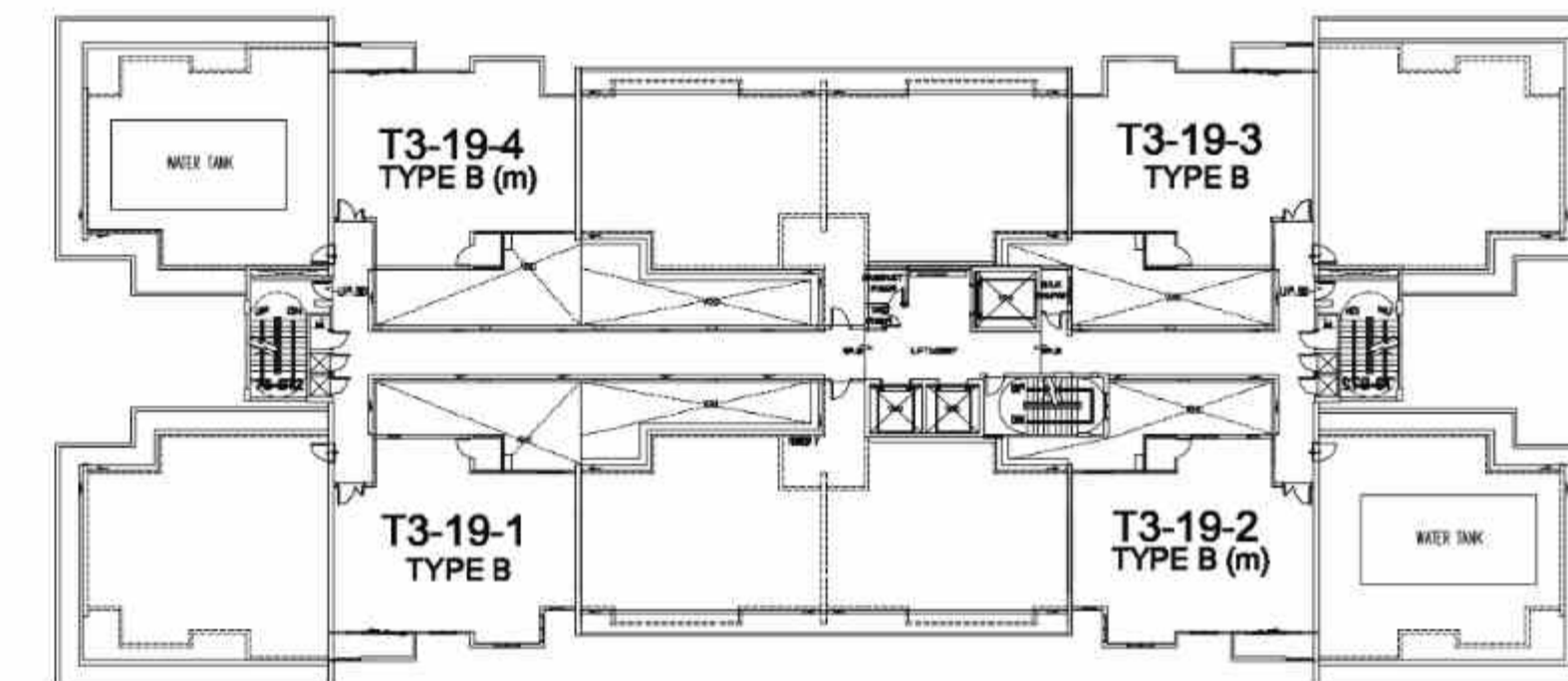
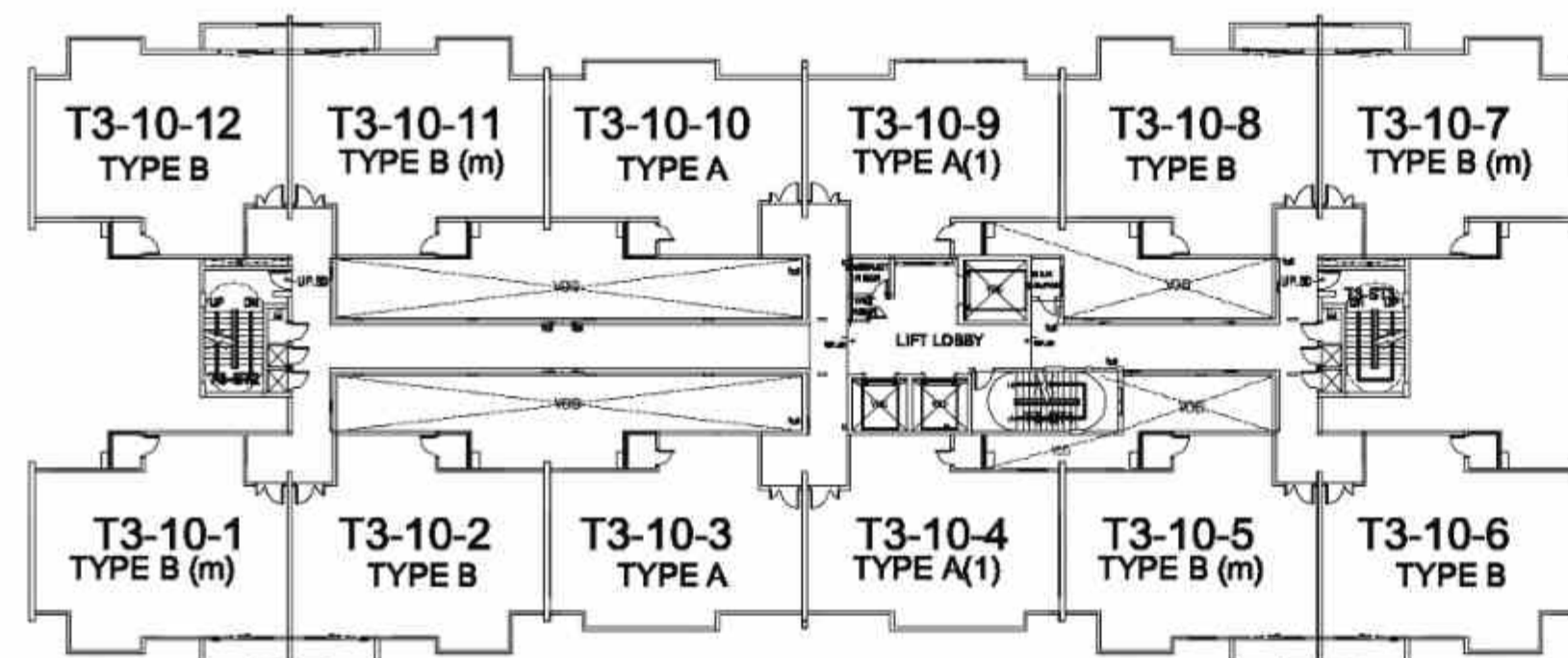
# Melaka Tengah 2



## PELAN TAPAK

### TOWER 3

	FRONT	FRONT	FRONT	FRONT	FRONT	BACK	BACK	BACK	BACK	BACK			
	TANGGA	TANGGA	TANGGA	TANGGA	TANGGA	TANGGA	TANGGA	TANGGA	TANGGA	TANGGA			
ROOF LEVEL		T3-19-1 (TYPE B)		T3-19-2 (TYPE B (m))		T3-19-3 (TYPE B)		T3-19-4 (TYPE B (m))					
LEVEL 19		T3-18-1 (TYPE B (m))	T3-18-2 (TYPE B)	T3-18-3 (TYPE A)	T3-18-4 (TYPE A(1))	T3-18-5 (TYPE B (m))	T3-18-6 (TYPE B)	T3-18-7 (TYPE B (m))	T3-18-8 (TYPE B)	T3-18-9 (TYPE A (1))	T3-18-10 (TYPE A)	T3-18-11 (TYPE B (m))	T3-18-12 (TYPE B)
LEVEL 18		T3-17-1 (TYPE B (m))	T3-17-2 (TYPE B)	T3-17-3 (TYPE A)	T3-17-4 (TYPE A(1))	T3-17-5 (TYPE B (m))	T3-17-6 (TYPE B)	T3-17-7 (TYPE B (m))	T3-17-8 (TYPE B)	T3-17-9 (TYPE A (1))	T3-17-10 (TYPE A)	T3-17-11 (TYPE B (m))	T3-17-12 (TYPE B)
LEVEL 17		T3-16-1 (TYPE B (m))	T3-16-2 (TYPE B)	T3-16-3 (TYPE A)	T3-16-4 (TYPE A(1))	T3-16-5 (TYPE B (m))	T3-16-6 (TYPE B)	T3-16-7 (TYPE B (m))	T3-16-8 (TYPE B)	T3-16-9 (TYPE A (1))	T3-16-10 (TYPE A)	T3-16-11 (TYPE B (m))	T3-16-12 (TYPE B)
LEVEL 16		T3-15-1 (TYPE B (m))	T3-15-2 (TYPE B)	T3-15-3 (TYPE A)	T3-15-4 (TYPE A(1))	T3-15-5 (TYPE B (m))	T3-15-6 (TYPE B)	T3-15-7 (TYPE B (m))	T3-15-8 (TYPE B)	T3-15-9 (TYPE A (1))	T3-15-10 (TYPE A)	T3-15-11 (TYPE B (m))	T3-15-12 (TYPE B)
LEVEL 15		T3-14-1 (TYPE B (m))	T3-14-2 (TYPE B)	T3-14-3 (TYPE A)	T3-14-4 (TYPE A(1))	T3-14-5 (TYPE B (m))	T3-14-6 (TYPE B)	T3-14-7 (TYPE B (m))	T3-14-8 (TYPE B)	T3-14-9 (TYPE A (1))	T3-14-10 (TYPE A)	T3-14-11 (TYPE B (m))	T3-14-12 (TYPE B)
LEVEL 14		T3-13-1 (TYPE B (m))	T3-13-2 (TYPE B)	T3-13-3 (TYPE A)	T3-13-4 (TYPE A(1))	T3-13-5 (TYPE B (m))	T3-13-6 (TYPE B)	T3-13-7 (TYPE B (m))	T3-13-8 (TYPE B)	T3-13-9 (TYPE A (1))	T3-13-10 (TYPE A)	T3-13-11 (TYPE B (m))	T3-13-12 (TYPE B)
LEVEL 13		T3-12-1 (TYPE B (m))	T3-12-2 (TYPE B)	T3-12-3 (TYPE A)	T3-12-4 (TYPE A(1))	T3-12-5 (TYPE B (m))	T3-12-6 (TYPE B)	T3-12-7 (TYPE B (m))	T3-12-8 (TYPE B)	T3-12-9 (TYPE A (1))	T3-12-10 (TYPE A)	T3-12-11 (TYPE B (m))	T3-12-12 (TYPE B)
LEVEL 12		T3-11-1 (TYPE B (m))	T3-11-2 (TYPE B)	T3-11-3 (TYPE A)	T3-11-4 (TYPE A(1))	T3-11-5 (TYPE B (m))	T3-11-6 (TYPE B)	T3-11-7 (TYPE B (m))	T3-11-8 (TYPE B)	T3-11-9 (TYPE A (1))	T3-11-10 (TYPE A)	T3-11-11 (TYPE B (m))	T3-11-12 (TYPE B)
LEVEL 11		T3-10-1 (TYPE B (m))	T3-10-2 (TYPE B)	T3-10-3 (TYPE A)	T3-10-4 (TYPE A(1))	T3-10-5 (TYPE B (m))	T3-10-6 (TYPE B)	T3-10-7 (TYPE B (m))	T3-10-8 (TYPE B)	T3-10-9 (TYPE A (1))	T3-10-10 (TYPE A)	T3-10-11 (TYPE B (m))	T3-10-12 (TYPE B)
LEVEL 10		T3-9-1 (TYPE B (m))	T3-9-2 (TYPE B)	T3-9-3 (TYPE A)	T3-9-4 (TYPE A(1))	T3-9-5 (TYPE B (m))	T3-9-6 (TYPE B)	T3-9-7 (TYPE B (m))	T3-9-8 (TYPE B)	T3-9-9 (TYPE A (1))	T3-9-10 (TYPE A)	T3-9-11 (TYPE B (m))	T3-9-12 (TYPE B)
LEVEL 9		T3-8-1 (TYPE B (m))	T3-8-2 (TYPE B)	T3-8-3 (TYPE A)	T3-8-4 (TYPE A(1))	T3-8-5 (TYPE B (m))	T3-8-6 (TYPE B)	T3-8-7 (TYPE B (m))	T3-8-8 (TYPE B)	T3-8-9 (TYPE A (1))	T3-8-10 (TYPE A)	T3-8-11 (TYPE B (m))	T3-8-12 (TYPE B)
LEVEL 8		T3-7-1 (TYPE B (m))	T3-7-2 (TYPE B)	T3-7-3 (TYPE A)	T3-7-4 (TYPE A(1))	T3-7-5 (TYPE B (m))	T3-7-6 (TYPE B)	T3-7-7 (TYPE B (m))	T3-7-8 (TYPE B)	T3-7-9 (TYPE A (1))	T3-7-10 (TYPE A)	T3-7-11 (TYPE B (m))	T3-7-12 (TYPE B)
LEVEL 7		T3-6-1 (TYPE B (m))	T3-6-2 (TYPE B)	T3-6-3 (TYPE A)	T3-6-4 (TYPE A(1))	T3-6-5 (TYPE B (m))	T3-6-6 (TYPE B)	T3-6-7 (TYPE B (m))	T3-6-8 (TYPE B)	T3-6-9 (TYPE A (1))	T3-6-10 (TYPE A)	T3-6-11 (TYPE B (m))	T3-6-12 (TYPE B)
LEVEL 6		T3-5-1 (TYPE B (m))	T3-5-2 (TYPE B)	T3-5-3 (TYPE A)	T3-5-4 (TYPE A(1))	T3-5-5 (TYPE B (m))	T3-5-6 (TYPE B)	T3-5-7 (TYPE B (m))	T3-5-8 (TYPE B)	T3-5-9 (TYPE A (1))	T3-5-10 (TYPE A)	T3-5-11 (TYPE B (m))	T3-5-12 (TYPE B)
LEVEL 5		T3-4-1 (TYPE B (m))	T3-4-2 (TYPE B)	T3-4-3 (TYPE A)	T3-4-4 (TYPE A(1))	T3-4-5 (TYPE B (m))	T3-4-6 (TYPE B)	T3-4-7 (TYPE B (m))	T3-4-8 (TYPE B)	T3-4-9 (TYPE A (1))	T3-4-10 (TYPE A)	T3-4-11 (TYPE B (m))	T3-4-12 (TYPE B)
LEVEL 4		T3-3-1 (TYPE B (m))	T3-3-2 (TYPE B)	T3-3-3 (TYPE A)	T3-3-4 (TYPE A(1))	T3-3-5 (TYPE B (m))	T3-3-6 (TYPE B)	T3-3-7 (TYPE B (m))	T3-3-8 (TYPE B)	T3-3-9 (TYPE A (1))	T3-3-10 (TYPE A)	T3-3-11 (TYPE B (m))	T3-3-12 (TYPE B)
LEVEL 3													
LEVEL 2	CAR PARKING	CAR PARKING			CAR PARKING			CAR PARKING	CAR PARKING	CAR PARKING			CAR PARKING
LEVEL 1	CAR PARKING	CAR PARKING			CAR PARKING			CAR PARKING	CAR PARKING	CAR PARKING			CAR PARKING
ROAD LEVEL													





Residensi

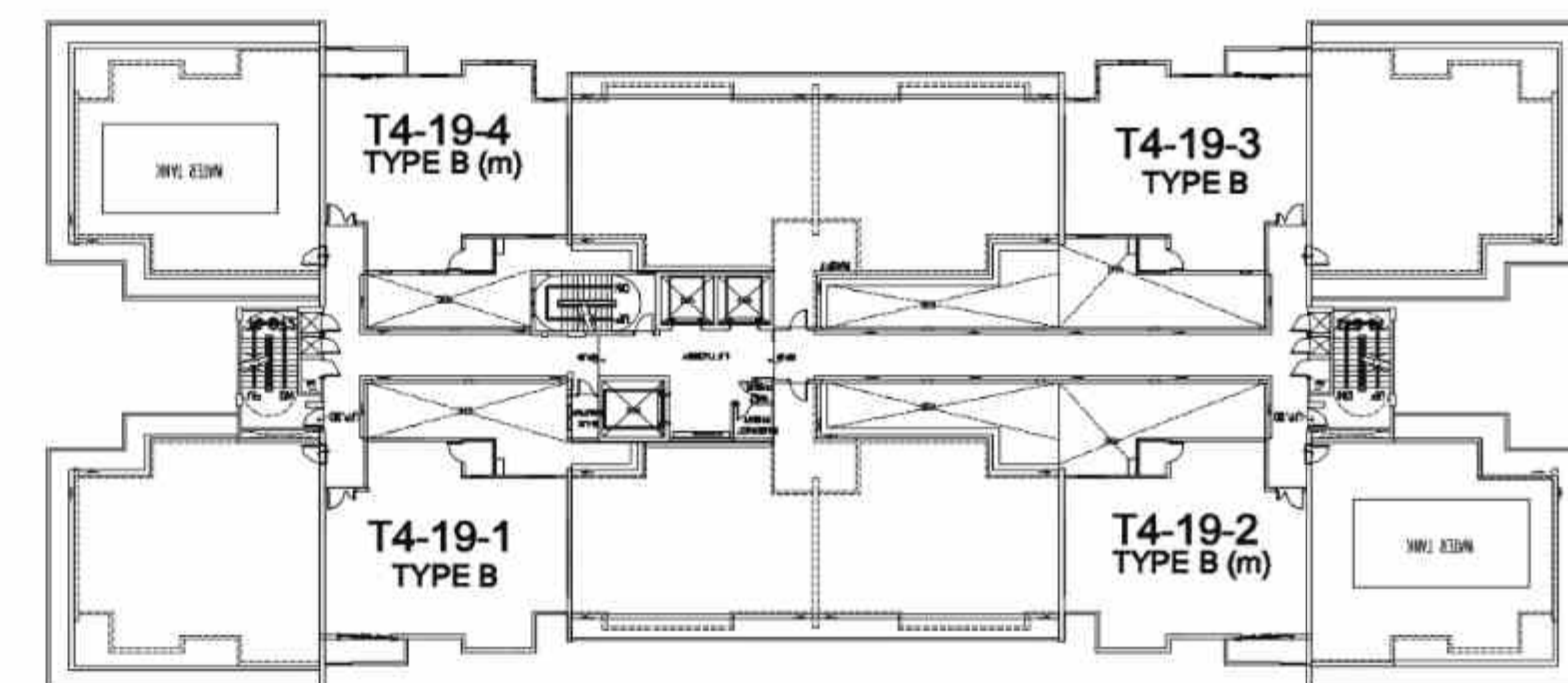
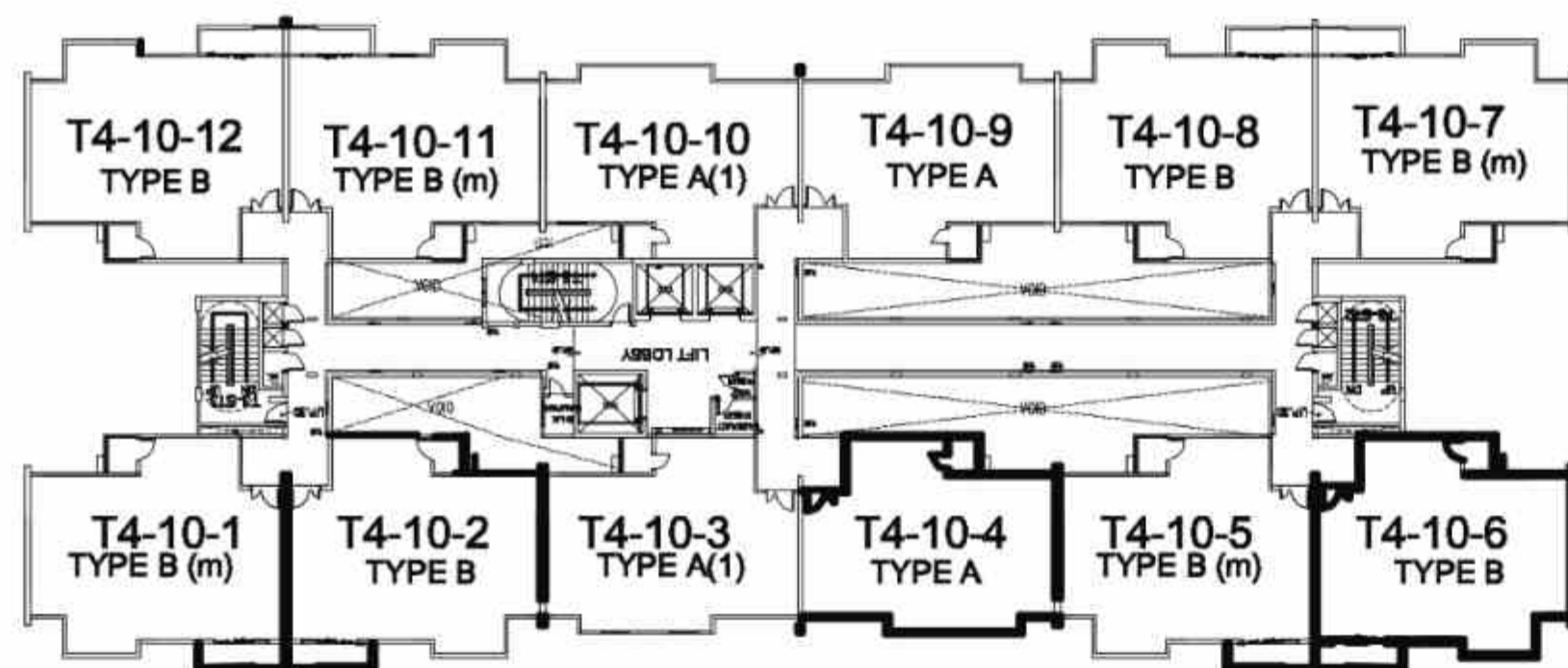
# Melaka Tengah 2



## PELAN TAPAK

### TOWER 4

	FRONT	TANGGA	FRONT	LIFT MOTOR ROOM	TANGGA	FRONT	TANGGA	FRONT	BACK	TANGGA	BACK	LIFT MOTOR ROOM	TANGGA	BACK	TANGGA	BACK
ROOF LEVEL			T4-19-1 (TYPE B)			T4-19-2 (TYPE B (m))					T4-19-3 (TYPE B)			T4-19-4 (TYPE B (m))		
LEVEL 19			T4-18-1 (TYPE B (m))			T4-18-2 (TYPE B)			T4-18-3 (TYPE A)					T4-18-4 (TYPE A(1))		
LEVEL 18			T4-17-1 (TYPE B (m))			T4-17-2 (TYPE B)			T4-17-3 (TYPE A)					T4-17-4 (TYPE A(1))		
LEVEL 17			T4-16-1 (TYPE B (m))			T4-16-2 (TYPE B)			T4-16-3 (TYPE A)					T4-16-4 (TYPE A(1))		
LEVEL 16			T4-15-1 (TYPE B (m))			T4-15-2 (TYPE B)			T4-15-3 (TYPE A)					T4-15-4 (TYPE A(1))		
LEVEL 15			T4-14-1 (TYPE B (m))			T4-14-2 (TYPE B)			T4-14-3 (TYPE A)					T4-14-4 (TYPE A(1))		
LEVEL 14			T4-13-1 (TYPE B (m))			T4-13-2 (TYPE B)			T4-13-3 (TYPE A)					T4-13-4 (TYPE A(1))		
LEVEL 13			T4-12-1 (TYPE B (m))			T4-12-2 (TYPE B)			T4-12-3 (TYPE A)					T4-12-4 (TYPE A(1))		
LEVEL 12			T4-11-1 (TYPE B (m))			T4-11-2 (TYPE B)			T4-11-3 (TYPE A)					T4-11-4 (TYPE A(1))		
LEVEL 11			T4-10-1 (TYPE B (m))			T4-10-2 (TYPE B)			T4-10-3 (TYPE A)					T4-10-4 (TYPE A(1))		
LEVEL 10			T4-9-1 (TYPE B (m))			T4-9-2 (TYPE B)			T4-9-3 (TYPE A)					T4-9-4 (TYPE A(1))		
LEVEL 9			T4-8-1 (TYPE B (m))			T4-8-2 (TYPE B)			T4-8-3 (TYPE A)					T4-8-4 (TYPE A(1))		
LEVEL 8			T4-7-1 (TYPE B (m))			T4-7-2 (TYPE B)			T4-7-3 (TYPE A)					T4-7-4 (TYPE A(1))		
LEVEL 7			T4-6-1 (TYPE B (m))			T4-6-2 (TYPE B)			T4-6-3 (TYPE A)					T4-6-4 (TYPE A(1))		
LEVEL 6			T4-5-1 (TYPE B (m))			T4-5-2 (TYPE B)			T4-5-3 (TYPE A)					T4-5-4 (TYPE A(1))		
LEVEL 5			T4-4-1 (TYPE B (m))			T4-4-2 (TYPE B)			T4-4-3 (TYPE A)					T4-4-4 (TYPE A(1))		
LEVEL 4			T4-3-1 (TYPE B (m))			<b>T4-3-2 (TYPE B)</b>			T4-3-3 (TYPE A)					T4-3-4 (TYPE A(1))		
LEVEL 3														T4-3-5 (TYPE B (m))		
LEVEL 2	CAR PARKING		CAR PARKING			CAR PARKING			CAR PARKING			CAR PARKING		CAR PARKING		
LEVEL 1	CAR PARKING		CAR PARKING			CAR PARKING			CAR PARKING			CAR PARKING		CAR PARKING		
ROAD LEVEL																





Residensi

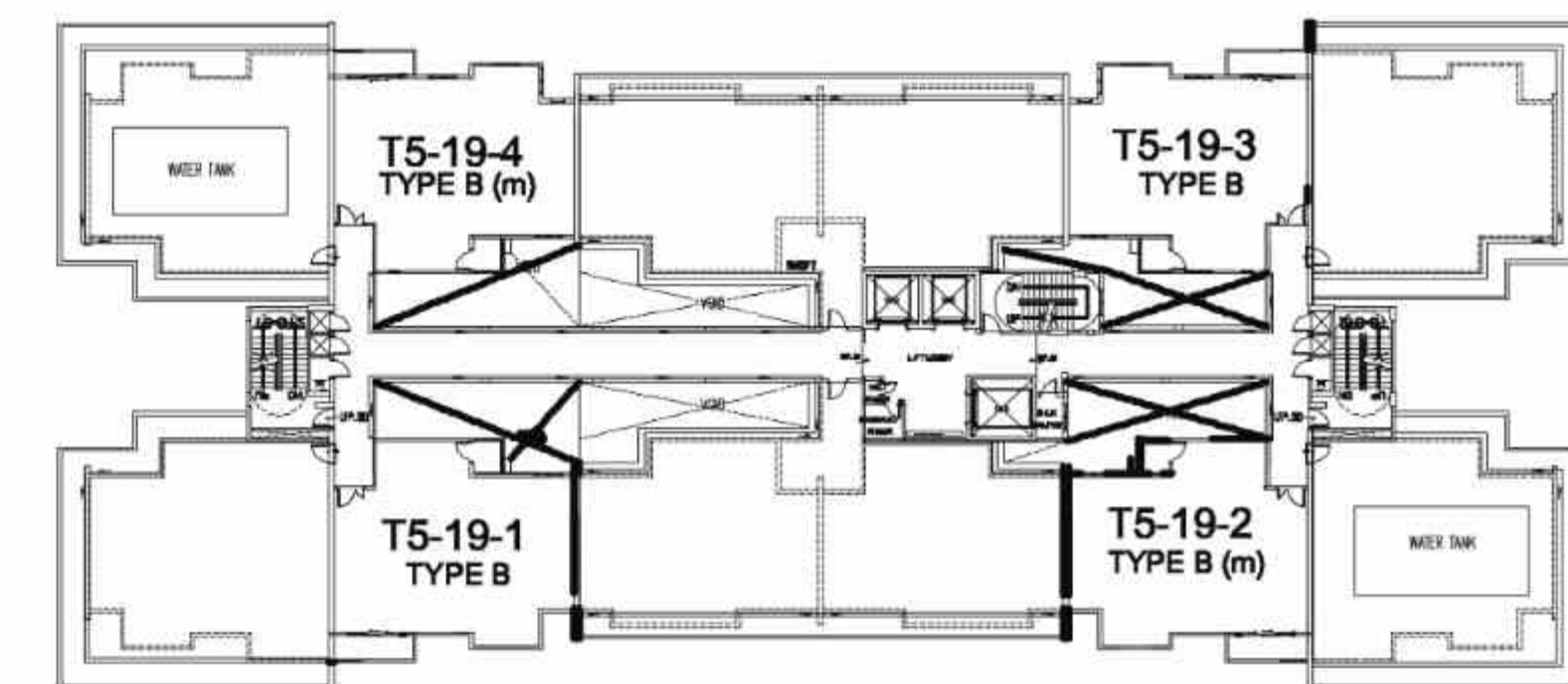
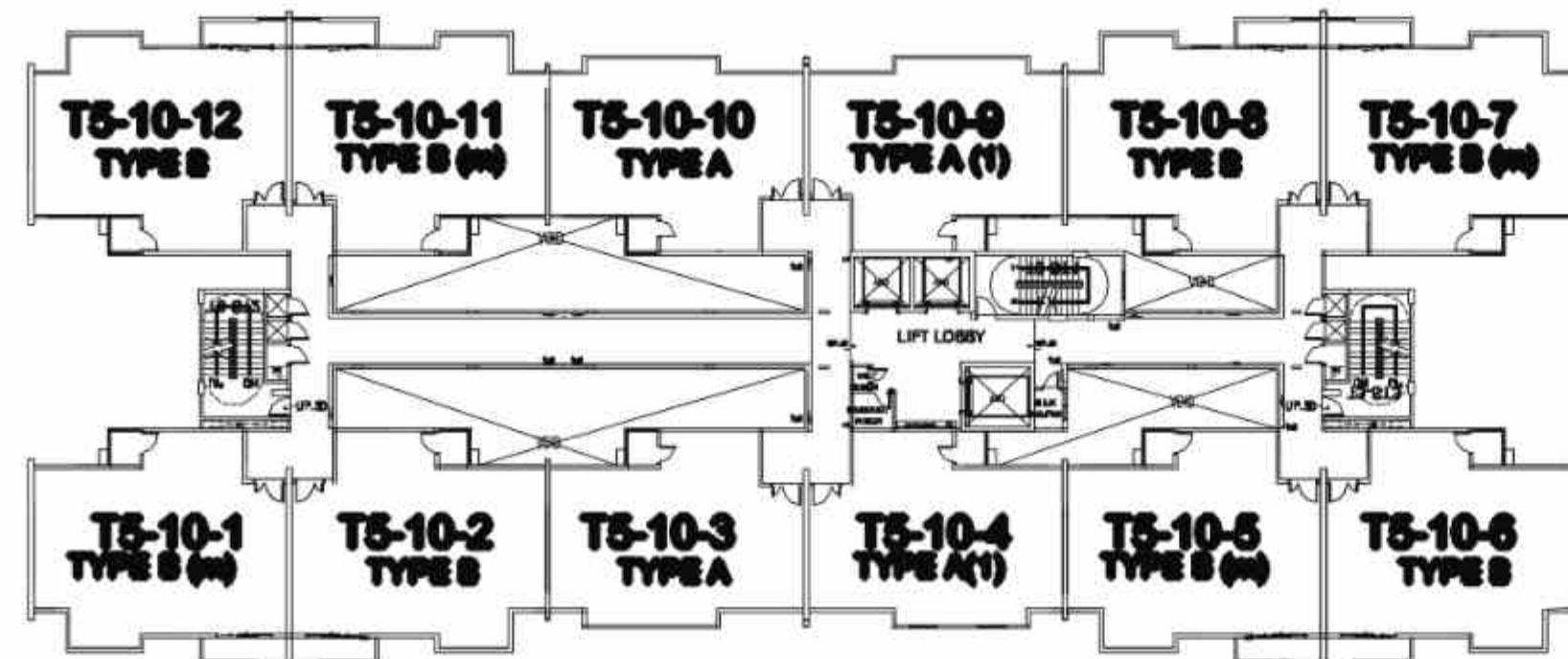
# Melaka Tengah 2



## PELAN TAPAK

### TOWER 5

	FRONT	TANGGA	FRONT	LIFT MOTOR ROOM	TANGGA	FRONT	TANGGA	FRONT	BACK	TANGGA	BACK	LIFT MOTOR ROOM	TANGGA	BACK	TANGGA	BACK
ROOF LEVEL			T5-19-1 (TYPE B)			T5-19-2 (TYPE B (m))					T5-19-3 (TYPE B)			T5-19-4 (TYPE B (m))		
LEVEL 19																
LEVEL 18	T5-18-1 (TYPE B (m))		T5-18-2 (TYPE B)	T5-18-3 (TYPE A)		T5-18-4 (TYPE A(1))	T5-18-5 (TYPE B (m))		T5-18-6 (TYPE B)	T5-18-7 (TYPE B (m))	T5-18-8 (TYPE B)	T5-18-9 (TYPE A (1))		T5-18-10 (TYPE A)	T5-18-11 (TYPE B (m))	T5-18-12 (TYPE B)
LEVEL 17	T5-17-1 (TYPE B (m))		T5-17-2 (TYPE B)	T5-17-3 (TYPE A)		T5-17-4 (TYPE A(1))	T5-17-5 (TYPE B (m))		T5-17-6 (TYPE B)	T5-17-7 (TYPE B (m))	T5-17-8 (TYPE B)	T5-17-9 (TYPE A (1))		T5-17-10 (TYPE A)	T5-17-11 (TYPE B (m))	T5-17-12 (TYPE B)
LEVEL 16	T5-16-1 (TYPE B (m))		T5-16-2 (TYPE B)	T5-16-3 (TYPE A)		T5-16-4 (TYPE A(1))	T5-16-5 (TYPE B (m))		T5-16-6 (TYPE B)	T5-16-7 (TYPE B (m))	T5-16-8 (TYPE B)	T5-16-9 (TYPE A (1))		T5-16-10 (TYPE A)	T5-16-11 (TYPE B (m))	T5-16-12 (TYPE B)
LEVEL 15	T5-15-1 (TYPE B (m))		T5-15-2 (TYPE B)	T5-15-3 (TYPE A)		T5-15-4 (TYPE A(1))	T5-15-5 (TYPE B (m))		T5-15-6 (TYPE B)	T5-15-7 (TYPE B (m))	T5-15-8 (TYPE B)	T5-15-9 (TYPE A (1))		T5-15-10 (TYPE A)	T5-15-11 (TYPE B (m))	T5-15-12 (TYPE B)
LEVEL 14	T5-14-1 (TYPE B (m))		T5-14-2 (TYPE B)	T5-14-3 (TYPE A)		T5-14-4 (TYPE A(1))	T5-14-5 (TYPE B (m))		T5-14-6 (TYPE B)	T5-14-7 (TYPE B (m))	T5-14-8 (TYPE B)	T5-14-9 (TYPE A (1))		T5-14-10 (TYPE A)	T5-14-11 (TYPE B (m))	T5-14-12 (TYPE B)
LEVEL 13	T5-13-1 (TYPE B (m))		T5-13-2 (TYPE B)	T5-13-3 (TYPE A)		T5-13-4 (TYPE A(1))	T5-13-5 (TYPE B (m))		T5-13-6 (TYPE B)	T5-13-7 (TYPE B (m))	T5-13-8 (TYPE B)	T5-13-9 (TYPE A (1))		T5-13-10 (TYPE A)	T5-13-11 (TYPE B (m))	T5-13-12 (TYPE B)
LEVEL 12	T5-12-1 (TYPE B (m))		T5-12-2 (TYPE B)	T5-12-3 (TYPE A)		T5-12-4 (TYPE A(1))	T5-12-5 (TYPE B (m))		T5-12-6 (TYPE B)	T5-12-7 (TYPE B (m))	T5-12-8 (TYPE B)	T5-12-9 (TYPE A (1))		T5-12-10 (TYPE A)	T5-12-11 (TYPE B (m))	T5-12-12 (TYPE B)
LEVEL 11	T5-11-1 (TYPE B (m))		T5-11-2 (TYPE B)	T5-11-3 (TYPE A)		T5-11-4 (TYPE A(1))	T5-11-5 (TYPE B (m))		T5-11-6 (TYPE B)	T5-11-7 (TYPE B (m))	T5-11-8 (TYPE B)	T5-11-9 (TYPE A (1))		T5-11-10 (TYPE A)	T5-11-11 (TYPE B (m))	T5-11-12 (TYPE B)
LEVEL 10	T5-10-1 (TYPE B (m))		T5-10-2 (TYPE B)	T5-10-3 (TYPE A)		T5-10-4 (TYPE A(1))	T5-10-5 (TYPE B (m))		T5-10-6 (TYPE B)	T5-10-7 (TYPE B (m))	T5-10-8 (TYPE B)	T5-10-9 (TYPE A (1))		T5-10-10 (TYPE A)	T5-10-11 (TYPE B (m))	T5-10-12 (TYPE B)
LEVEL 9	T5-9-1 (TYPE B (m))		T5-9-2 (TYPE B)	T5-9-3 (TYPE A)		T5-9-4 (TYPE A(1))	T5-9-5 (TYPE B (m))		T5-9-6 (TYPE B)	T5-9-7 (TYPE B (m))	T5-9-8 (TYPE B)	T5-9-9 (TYPE A (1))		T5-9-10 (TYPE A)	T5-9-11 (TYPE B (m))	T5-9-12 (TYPE B)
LEVEL 8	T5-8-1 (TYPE B (m))		T5-8-2 (TYPE B)	T5-8-3 (TYPE A)		T5-8-4 (TYPE A(1))	T5-8-5 (TYPE B (m))		T5-8-6 (TYPE B)	T5-8-7 (TYPE B (m))	T5-8-8 (TYPE B)	T5-8-9 (TYPE A (1))		T5-8-10 (TYPE A)	T5-8-11 (TYPE B (m))	T5-8-12 (TYPE B)
LEVEL 7	T5-7-1 (TYPE B (m))		T5-7-2 (TYPE B)	T5-7-3 (TYPE A)		T5-7-4 (TYPE A(1))	T5-7-5 (TYPE B (m))		T5-7-6 (TYPE B)	T5-7-7 (TYPE B (m))	T5-7-8 (TYPE B)	T5-7-9 (TYPE A (1))		T5-7-10 (TYPE A)	T5-7-11 (TYPE B (m))	T5-7-12 (TYPE B)
LEVEL 6	T5-6-1 (TYPE B (m))		T5-6-2 (TYPE B)	T5-6-3 (TYPE A)		T5-6-4 (TYPE A(1))	T5-6-5 (TYPE B (m))		T5-6-6 (TYPE B)	T5-6-7 (TYPE B (m))	T5-6-8 (TYPE B)	T5-6-9 (TYPE A (1))		T5-6-10 (TYPE A)	T5-6-11 (TYPE B (m))	T5-6-12 (TYPE B)
LEVEL 5	T5-5-1 (TYPE B (m))		T5-5-2 (TYPE B)	T5-5-3 (TYPE A)		T5-5-4 (TYPE A(1))	T5-5-5 (TYPE B (m))		T5-5-6 (TYPE B)	T5-5-7 (TYPE B (m))	T5-5-8 (TYPE B)	T5-5-9 (TYPE A (1))		T5-5-10 (TYPE A)	T5-5-11 (TYPE B (m))	T5-5-12 (TYPE B)
LEVEL 4	T5-4-1 (TYPE B (m))		T5-4-2 (TYPE B)	T5-4-3 (TYPE A)		T5-4-4 (TYPE A(1))	T5-4-5 (TYPE B (m))		T5-4-6 (TYPE B)	T5-4-7 (TYPE B (m))	T5-4-8 (TYPE B)	T5-4-9 (TYPE A (1))		T5-4-10 (TYPE A)	T5-4-11 (TYPE B (m))	T5-4-12 (TYPE B)
LEVEL 3	T5-3-1 (TYPE B (m))		T5-3-2 (TYPE B)	T5-3-3 (TYPE A)		T5-3-4 (TYPE A(1))	T5-3-5 (TYPE B (m))		T5-3-6 (TYPE B)	T5-3-7 (TYPE B (m))	T5-3-8 (TYPE B)	T5-3-9 (TYPE A (1))		T5-3-10 (TYPE A)	T5-3-11 (TYPE B (m))	T5-3-12 (TYPE B)
LEVEL 2	CAR PARKING		CAR PARKING			CAR PARKING			CAR PARKING		CAR PARKING			CAR PARKING		CAR PARKING
LEVEL 1	CAR PARKING		CAR PARKING			CAR PARKING			CAR PARKING		CAR PARKING			CAR PARKING		CAR PARKING
ROAD LEVEL																





Residensi

# Melaka Tengah 2



PELAN TAPAK

